



MOD **CRIBS**

LIGHTWEIGHT  
**STACKABLE**  
DURABLE



# BENEFITS OF MODCRIBS

1

## LIGHTWEIGHT

Molded ModCribs weigh approximately **28 pounds** as opposed to the wood cribs weighing approximately **130 pounds**. ModCribs are much less likely to cause back injuries for the workers handling the units.

2

## STACKABLE

ModCribs are stackable, allowing a up to **1,000 ModCribs** on a single truckload compared to only around **200 wood** cribs per truckload.

3

## SUSTAINABLE AND DURABLE

Cast molded from structural foam utilizing some recycled material, ModCribs last indefinitely. When units do get damaged, they can be re-cast into new cribs.

4

## COST EFFECTIVE

Even with these benefits, ModCribs are comparable in cost to wood cribs, making the overall cost per project significantly lower due to the reduced transportation and handling expenses.



# WHY CHANGE?

## Problems with Currently Utilized Wood Cribs:

### WEIGHT

Wood Cribs weigh up to 200 pounds each, making them difficult to handle without equipment, creating safety risks for workers tasked with positioning the units in place.

### DETERIORATION

Cribs are used and stored outdoors. Weather and sun deteriorates wood units over time, giving them a finite lifespan.

### EXPENSIVE TO TRANSPORT

Wood crib hauling requires expensive tractor trailers to ship. Delivery and pickup fees for each order adds significant costs to a project. The average commercial modular building requires anywhere from 3 to 6 semi tractor trailer loads of wood cribs compared to 1 or 2 box truck loads for the same quantity of ModCribs .

### RESOURCE HEAVY

Each wood crib requires twelve 8 foot 2x4s and 400 nails.



# LIGHTWEIGHT



100-130  
lbs. each

28  
lbs. each





# DURABILITY & SUSTAINABILITY

- Wood cribs rot and breakdown quickly
- Requires **TWELVE** 2x4's & 400 nails to build each crib



- Cast molded, structural foam ModCribs last indefinitely





# TRANSPORTATION EFFICIENCY

600

**WOOD CRIBS**

Very costly delivery & pick up



600

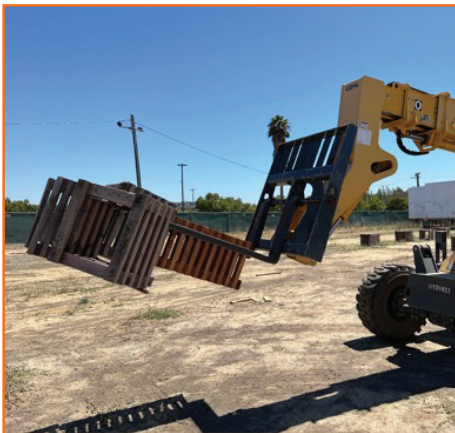
**STACKABLE MODCRIBS**

Very efficient delivery & pick up

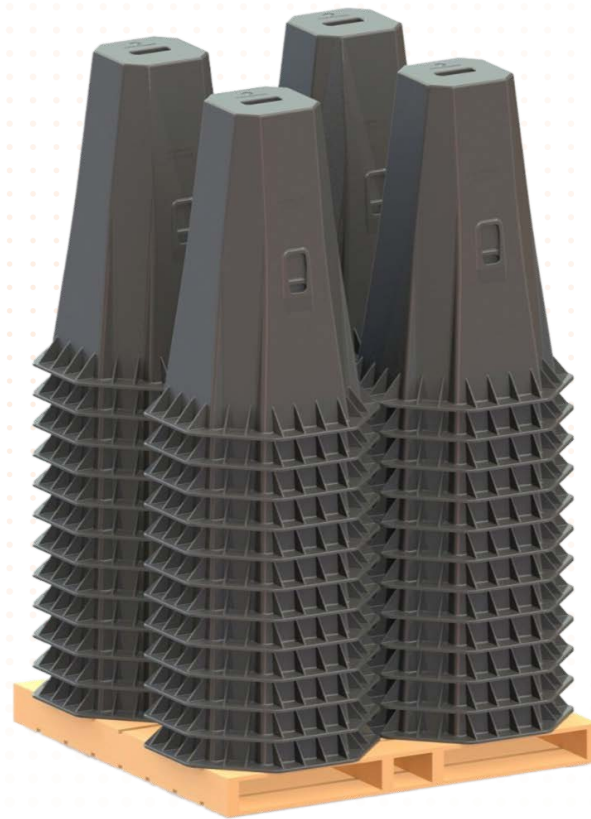


# PORTABILITY

- Bulky, Unwieldy, Costly to Handle

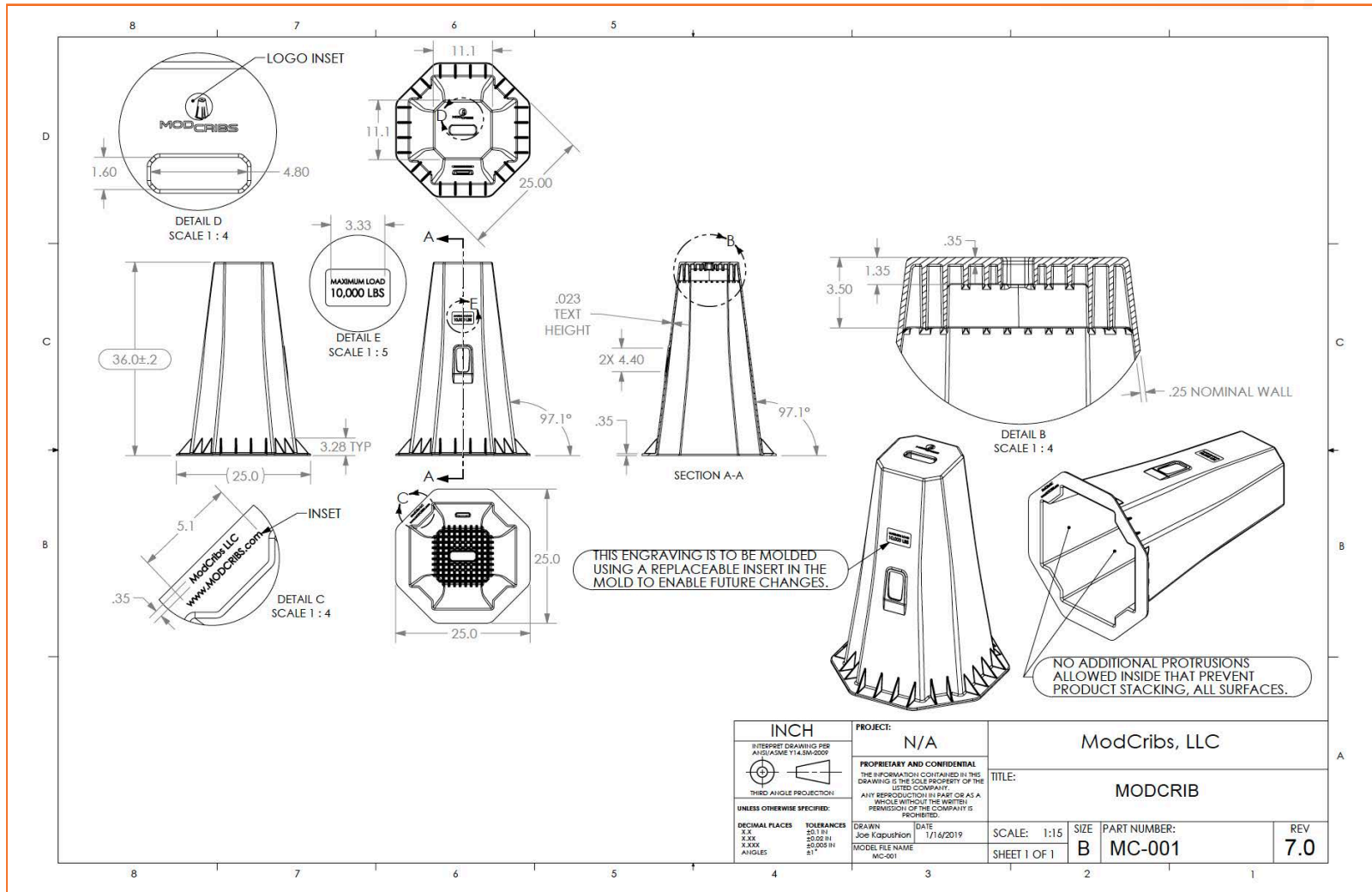


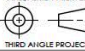
- Light & Stackable





# PRODUCT ENGINEERING




<b>INCH</b> INTERPRET DRAWING PER ANSI Y14.5M-2009  THIRD ANGLE PROJECTION UNLESS OTHERWISE SPECIFIED:		PROJECT: N/A	ModCrib, LLC		
DECIMAL PLACES 2.X 3.XX 4.XXX ANGLES 1° 10' 30"		TOLERANCES .01 IN. .005 IN. .003 IN. .01° .01°	DRAWN Job: EOP/DFH MODEL FILE NAME MC-001	DATE 1/14/2019	TITLE: MODCRIB
SCALE: 1:15 SHEET 1 OF 1			SIZE B	PART NUMBER: MC-001	REV 7.0





# PATENTED



  
 US011466810B2

**(12) United States Patent**  
**Mitchell et al.**

**(10) Patent No.: US 11,466,810 B2**  
**(45) Date of Patent: Oct. 11, 2022**

**(54) TEMPORARY SUPPORT STAND FOR A VOLUMETRIC MODULAR UNIT**

**(71) Applicant: ModCribz, LLC, Telluride, CO (US)**  
**(72) Inventors: Matthew Robert Mitchell, Telluride, CO (US); Scott Robert Bridger, Telluride, CO (US)**  
**(73) Assignee: ModCribz, LLC, Telluride, CO (US)**

(\*) Notice: Subject to any disclaimer, the term of this patent is extended or adjusted under 35 U.S.C. 154(b) by 0 days.

**(21) Appl. No. 16876,431**  
**(22) Filed: May 18, 2020**

**(65) Prior Publication Data**  
 US 2021/0356071 A1 Nov. 18, 2021

**(51) Int. Cl.**  
 F16M 11/22 (2006.01)  
 F16M 11/24 (2006.01)  
 E04C 3/00 (2006.01)  
 E02D 27/00 (2006.01)  
 E04C 3/30 (2006.01)

**(52) U.S. Cl.**  
 CPC — F16M 11/22 (2013.01); F16M 11/24 (2013.01); E02D 27/00 (2013.01); E04C 3/30 (2013.01); F16M 2200/08 (2013.01)

**(58) Field of Classification Search**  
 CPC — F16M 11/22; F16M 11/24; F16M 2200/08; B66F 7/00; B66F 13/00; E04C 3/30; E02D 27/43  
 See application file for complete search history.

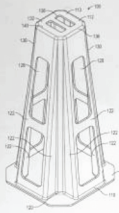
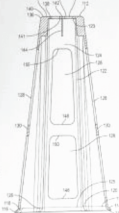
**(56) References Cited**  
 U.S. PATENT DOCUMENTS  
 3,493,209 A \* 2/1970 Brammer B66F 13/00 248/352  
 4,014,517 A \* 3/1977 Keagle B66F 13/00  
 4,937,989 A \* 7/1990 Mlyanets B66F 3/14 254/48  
 6,219,981 B1 4/2001 Begett B66F 11/2 182/182.1 (Continued)

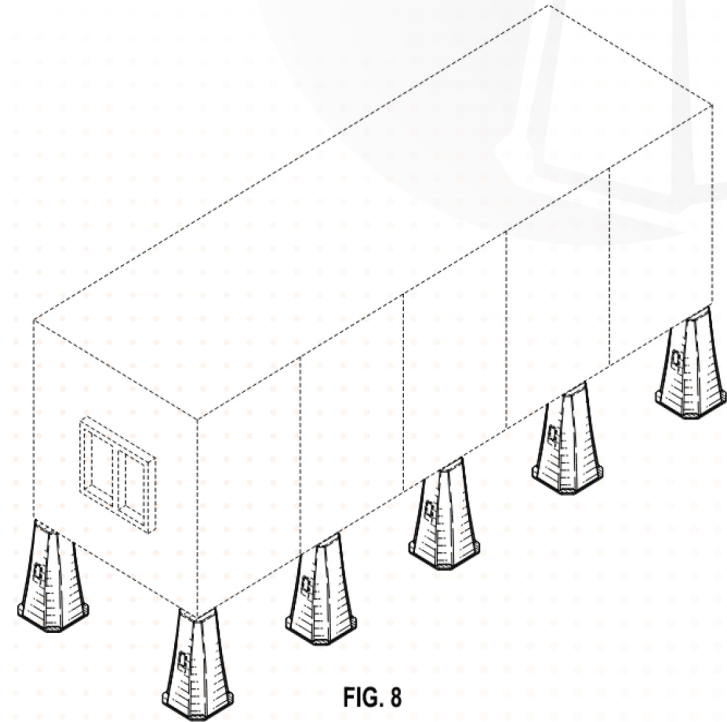
**FOREIGN PATENT DOCUMENTS**  
 CN 202519926 U 11/2012  
 JP 5155347 B2 3/2013

**OTHER PUBLICATIONS**  
 International Search Report and Written Opinion, PCT/US21/32991, dated Aug. 18, 2021, 14 Pages.  
 Primary Examiner — Tan Le (74) Attorneys, Agent, or Firm — Goodhue, Coleman & Owens, P.C.

**(57) ABSTRACT**  
 A support stand for supporting a volumetric modular unit above the ground is disclosed. The support stand includes a top portion with a top surface for contacting and supporting an underside of the modular unit above the ground. A bottom portion with a bottom surface supports the top portion at an elevation above the ground against the underside of the modular unit. An elevating portion has a top side connected to the top portion, a bottom side connected to the bottom portion, and an elevating span between the top side and the bottom side. A pad is connected to the bottom portion. The pad has a bottom surface for contacting and supporting the bottom portion against the ground, an inner pad perimeter and an outer pad perimeter. The top surface is parallel with the bottom surface. The underside and weight of the modular unit is supported on the top surface.

**14 Claims, 17 Drawing Sheets**





# FOR SALE & FOR RENT

## RENTAL PROGRAM

ModCribs maintains an inventory of cribs to be rented to modular manufacturers, developers and contractors to support their stored modular units prior to being installed. This is a logistic component of commercial modular projects that often gets overlooked on budgets and scopes of work. None of these parties desire to handle the crib scope as it does not fall within their normal workflow. It requires delivery coordination, inventory management, pick up and storage between jobs, etc. Often, wood cribs are disposed of after only one project because it is less costly to throw them away than to transport and store them until they can be used again. With a simple phone call or online ModCrib order, this issue will be taken care of, including delivery and pick up. The client simply tells us how many modular units they need to store and when and where to deliver the cribs. All that's left is to call us when they are ready to be picked up.

## SALES PROGRAM

ModCribs also sells cribs, primarily to modular manufacturers who use them to support modular units in their storage yards prior to shipping.





MODCRIBS

970.275.5522

*scott@modcribs.com*

M O D C R I B S . C O M